



# Fan Inspiration

Ceiling Fans can serve as a statement piece or even the focal point of a room.

Today's ceiling fans incorporate beautiful features, such as hand carved blades, sleek finishes and natural elements to appeal to a variety of different design trends.

At Progress Lighting, we strive to incorporate this shift in our ceiling fan designs and are eager to present an expanded offering in this catalog.

# The Perfect Fan in 5 Steps



Scan with the camera on your smartphone to explore more styles at [www.progresslighting.com/styles](http://www.progresslighting.com/styles)

## Ceiling Fan Buyer's Guide

Ceiling fans are practical and efficient solutions for creating comfortable and welcoming living areas. With many styles, functions and features to choose from, narrowing down the choices can be a challenge. Here we present five tips for selecting the perfect ceiling fan for your home.

1

### Settle on Style

Choose a style that complements your décor. Consider fan shape, blade features and finish to help you meet your room's design needs. Choose from Traditional, Transitional, Coastal or Farmhouse styles. The possibilities are vast!



*Modernly Minimal*



*Modern + Edgy*



*Easy, Breezy, Coastal*

# Indoor



Featuring Glandon

# Outdoor

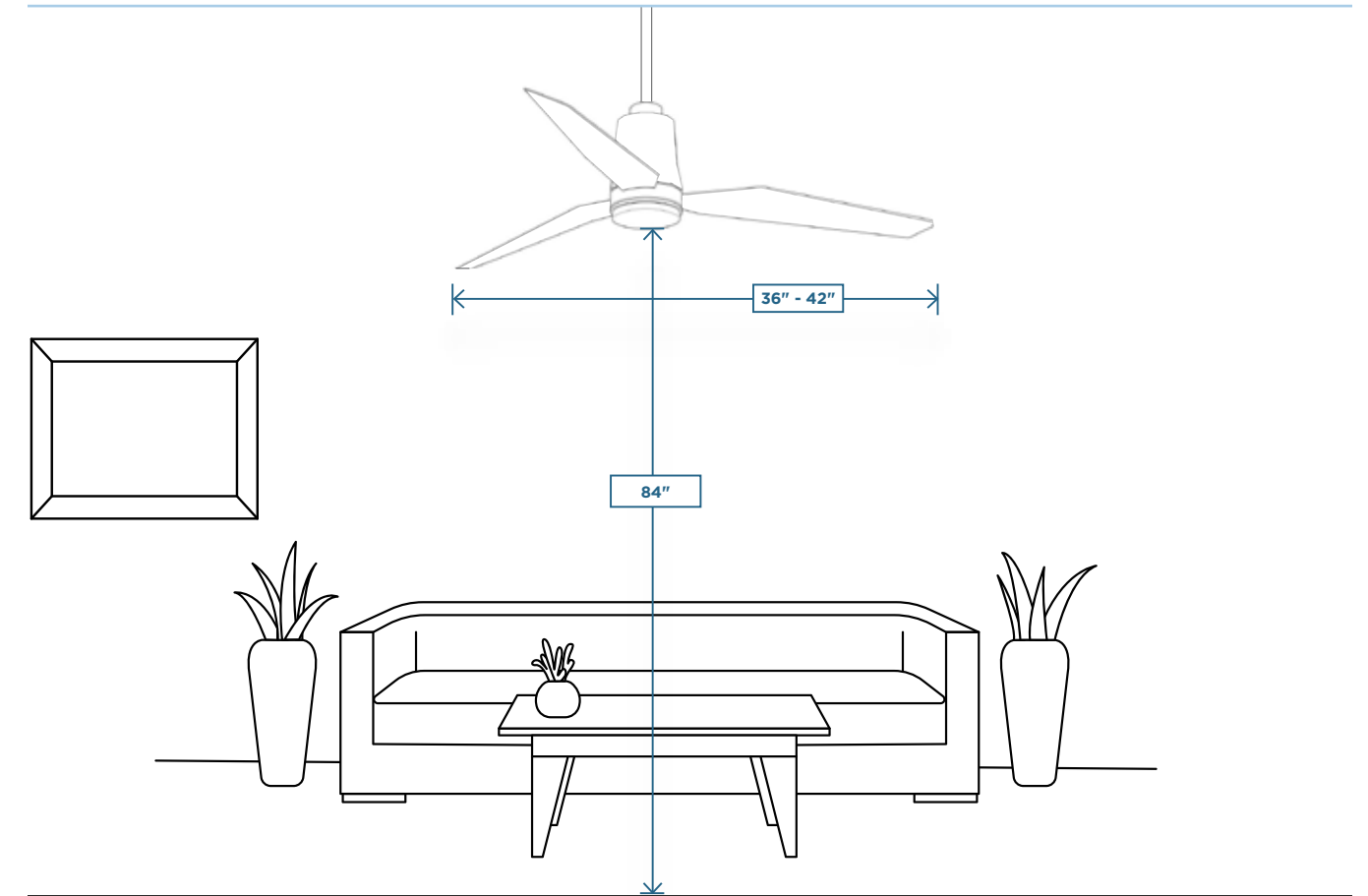


Featuring Spicer

## 2 Explore Indoor vs. Outdoor Uses

Fans provide a breezy setting for reading a book or catching up with friends, making them ideal for outdoor rooms. However, it's important to consider the certifications on the fan depending on the use. For high humidity areas, choose a UL-Listed fan for Damp Locations and for spaces that will be exposed to weather, choose a UL-Listed fan for Wet Locations. For interior use in dry spaces with minimal condensation, select a UL-Listed fan for Dry Locations.

## The Perfect Fan in 5 Steps *continued...*



## 3 Get Your Height Right

You want to allow at least 7 feet (84 in.) from the floor to the bottom of the fan, with 8 or 9 feet being the ideal above-floor placement. For lower ceilings, consider a ceiling fan with a low profile to avoid disturbing inhabitants. Most ceiling fans come equipped with a down rod to help you adjust to the correct height.

## 4 Size It To Your Space

Size is really important when selecting your ceiling fan. If a fan is too large, it can overwhelm the space. On the flip side, if the fan is too small, the airflow may be inadequate for that area.

| Room Size<br>(in square feet) | Fan Size<br>(in inches) |
|-------------------------------|-------------------------|
| 0 - 75                        | 0 - 36                  |
| 76 - 144                      | 36 - 42                 |
| 145 - 225                     | 42 - 50                 |
| 226 - 360                     | 50 - 54                 |
| 361 - 499                     | 54 - 70                 |
| 500+                          | 70+                     |



# The Perfect Fan in 5 Steps *continued...*

## 5 Choose Your Features

There are many different features to choose from when browsing ceiling fans.

### Blade Finish Options

Multiple blade finish options to coordinate with your home decor.

Example blade options for P2568-0930K:

- Silver
- American Walnut

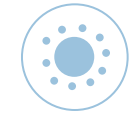
### LED

Consider an LED or Energy Star rated fixture to save energy.



### Reversible Motor

Typically, ceiling fans are used to help cool you down and keep the air flowing with a counter-clockwise blade direction. However, fans can also keep you warm when the direction of the blades is reversed. Select a fan with reversible motor for the option to circulate cool or warm air. Most ceiling fans have a small switch located either on the motor housing or the switch cup.



### Remote Control with Full Range Dimming

Full range dimming and hand-held remote control capabilities are available to offer an added convenience in controlling a room's environment.



### Light Kit

For a layered lighting effect, install a ceiling fan with a pre-installed light kit to complement your existing fixtures.



Scan for "The Perfect Fan in 5 Steps" with Steve Register or visit [youtube.com/user/ProgressLtg](https://www.youtube.com/user/ProgressLtg)

[WWW.PROGRESSLIGHTING.COM](http://www.progresslighting.com)



P2568-0930K

# Control from Anywhere with WiFi



Easily control your fan with your smartphone, tablet, voice or hand-held remote.

P2667-31

*Compatible with Any Progress AC Motor*

*Breeze Mode on App*

*Full Range Dimming Control*

*On/Off Function for Fan and Light Kit*

*Control from your pocket*



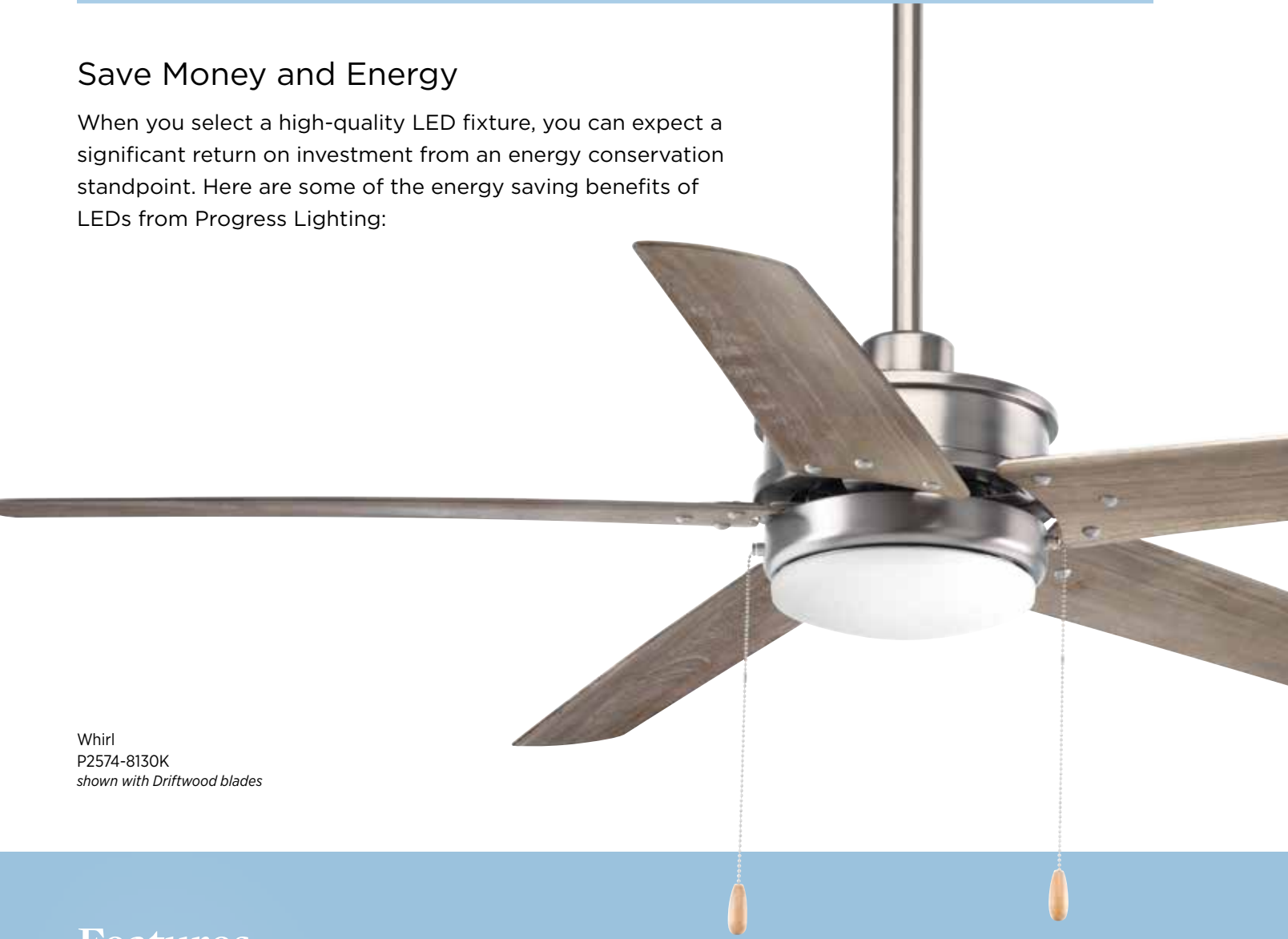
Featuring Gaze

For more details, visit [www.progresslighting.com/ceilingfans](http://www.progresslighting.com/ceilingfans)

# LED Light Kits

## Save Money and Energy

When you select a high-quality LED fixture, you can expect a significant return on investment from an energy conservation standpoint. Here are some of the energy saving benefits of LEDs from Progress Lighting:



Whirl  
P2574-8130K  
shown with Driftwood blades

## Features



LED sources use at least 75% less energy than incandescent lighting, allowing homeowners to save on operating expenses.



LEDs last 35 to 50 times longer than incandescent sources and approximately 2 to 5 times longer than fluorescent lighting. Meaning, less bulb maintenance!



LEDs do not use power when they are turned off. According to MSN Real Estate, LED lights can result in an annual bill as low as \$26.



LEDs do not produce heat like traditional sources, reducing cooling costs. Traditional incandescent bulbs waste 98% of the energy they consume on heat.

# Find Your Rating

## Indoor, Damp and Wet Location

All ceiling fans sold in the United States have been tested and rated by either Underwriters Laboratories (UL) or Intertek (ETL), each an independent product safety certification organization. It's important to pay attention to the rated listing when purchasing a ceiling fan as it will tell you what location the fan was designed for. There are three location options: dry, damp and wet.



Image: Dostie Homes

### Dry Location

Please note indoor only (dry location) fans should only be used indoors. Even if an outdoor area or screened-in porch is covered, the motor and the blades can be affected when exposed to humidity. You can, however, “bring the outdoors inside” – as using outdoor ceiling fans are perfectly acceptable to use in interior spaces.

### Damp Location

If you are selecting a ceiling fan for a space that is outdoors and under a roof, i.e. any covered porches; you should select either a damp rated or wet listed fan. Damp location fans may also be used indoors.



Image: Arthur Rutenberg Homes

### Wet Location

If the fan comes directly into contact with water, you'll need to ensure that the ceiling fan has a “wet” listing. Ceiling fans designed for damp or wet locations feature elements, such as moisture-resistant motors and all weather blades. Wet location fans may also be used indoors.